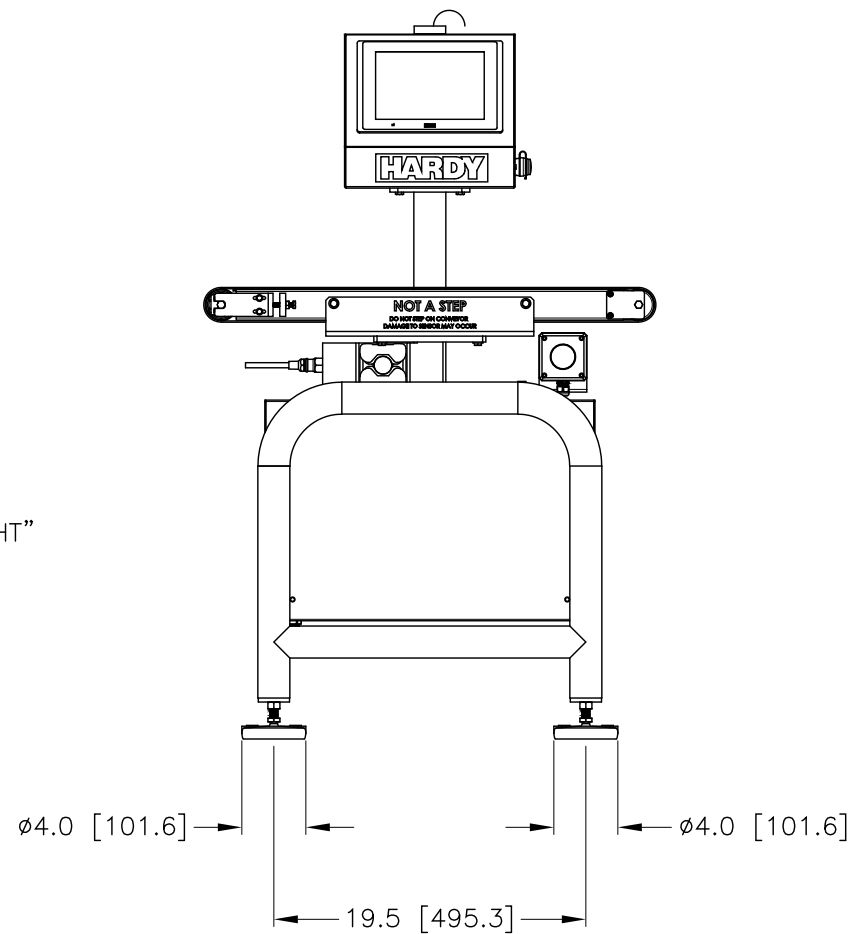
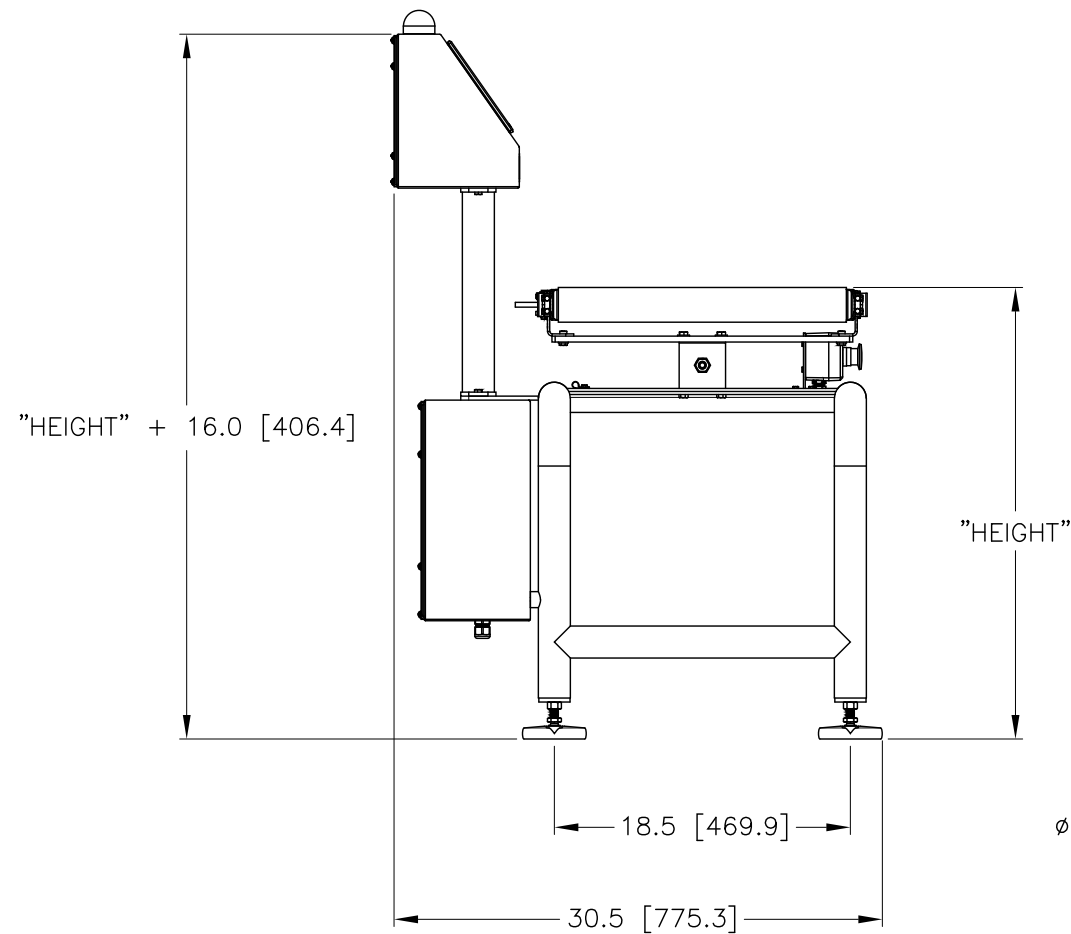
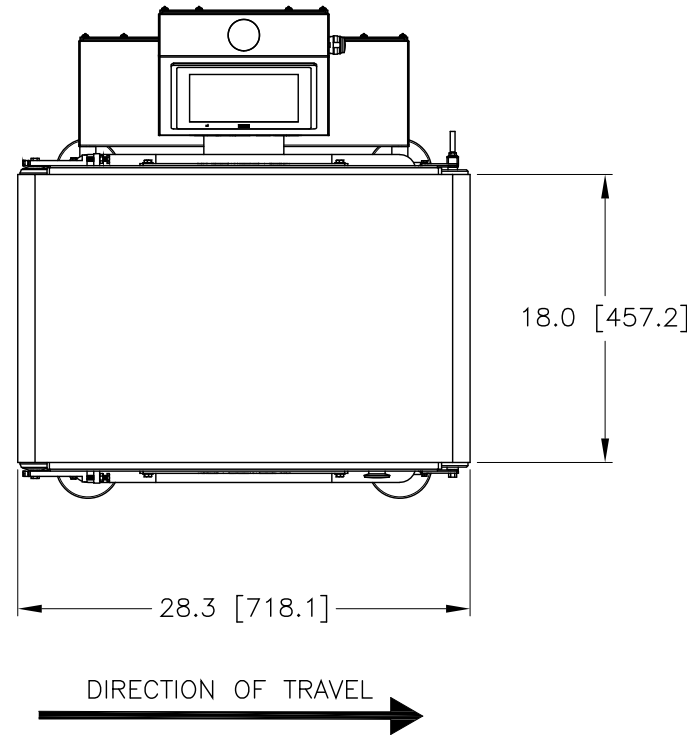


REV.	ECO/DDC	DESCRIPTION	DATE	DRAFT	CHECK	APV'D
A	----	RELEASED.	02-12-21	V.J.C.	T.D.N.	V.J.C.

DIMENSIONS IN INCHES [MM]		
HEIGHT-NOMINAL	HEIGHT-MINIMUM	HEIGHT-MAXIMUM
26.0 [660.4]	24.0 [609.6]	28.0 [711.2]
30.0 [762.0]	28.0 [711.2]	32.0 [812.8]
34.0 [863.6]	32.0 [812.8]	36.0 [914.4]
38.0 [965.2]	36.0 [914.4]	40.0 [1016.0]
42.0 [1066.8]	40.0 [1016.0]	44.0 [1117.6]



**Customer Provided Variables**

**Package Information**

Description:				
	Length (in)	Width (in)	Weight (lb.)	Rate (ppm)
Largest Pkg				
Smallest Pkg				

**Material Handling**

	Infeed Speed (fpm)	Controlled Spacing (Y/N)	Minimum Package Pitch (in)	Package Direction (L-R, R-L)
Largest Pkg				
Smallest Pkg				

*Pitch to be stated as center to center spacing of one package to the next*

Belt Type (check one):  Black(PVC)  White(FDA)

Roller (check one):  Galv (IP54)  SS (IP66)

Construction (check one):  Painted  Stainless

**Performance**

Maximum Rcmd. Weight	Maximum Speed	Enviro. Rating	Voltage / Current	Air (Reject Only)
40 lbs	120FPM		120 VAC / 5 AMP	80 PSI / 4 CFM

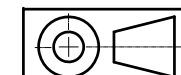
Customer Approval Signature \_\_\_\_\_

Print Name \_\_\_\_\_

Date \_\_\_\_\_

**NOTES: UNLESS OTHERWISE SPECIFIED**

**PROPRIETARY NOTICE**  
 ALL DATA AND INFORMATION CONTAINED IN OR DISCLOSED BY THIS DOCUMENT IS CONFIDENTIAL AND PROPRIETARY INFORMATION OF HARDY PROCESS SOLUTIONS INC. AND ALL RIGHTS THEREIN ARE EXPRESSLY RESERVED. BY ACCEPTING THIS MATERIAL THE RECIPIENT AGREES THAT THIS MATERIAL AND THE INFORMATION CONTAINED THEREIN IS HELD IN CONFIDENCE AND IN TRUST AND SHALL NOT BE USED, COPIED, REPRODUCED IN WHOLE OR IN PART, NOR ITS CONTENTS REVEALED IN ANY MANNER TO OTHERS, EXCEPT TO MEET THE SPECIFIC PURPOSE FOR WHICH IT WAS DELIVERED.



0588-0191		LAYOUT DRAWING, HPS-CW2, 18"x28", LEFT TO RIGHT DIRECTION		
ITEM	QTY	PART NUMBER	DESCRIPTION	COMMENTS
PARTS LIST				
UNLESS OTHERWISE SPECIFIED DIMENSIONS ARE IN INCHES TOLERANCES ARE:		CONTRACT NO.		
FRACTIONS: N/A		APPROVALS		
DECIMALS: .XX = ±.03		DRAWN	DATE	
.XXX = ±.010		V. CHULA	01-26-21	
ANGLES: ±0°, 30°		CHECKED	DATE	
		T. NORMAN	02-12-21	
MATERIAL		APPROVED	DATE	TITLE
		V. CHULA	02-12-21	LAYOUT DRAWING, HPS-CW2, 18"x28", LEFT TO RIGHT DIR
FINISH		ISSUED	DATE	SIZE
		V. CHULA	02-12-21	D
DO NOT SCALE DRAWING		PRODUCTION	DATE	FSCM
				21316
				DRAWING NO.
				0588-0191
				REV.
				A
				FILE NAME: 0588-0191A1.DWG
				SCALE: NONE
				SHEET 1 OF 1