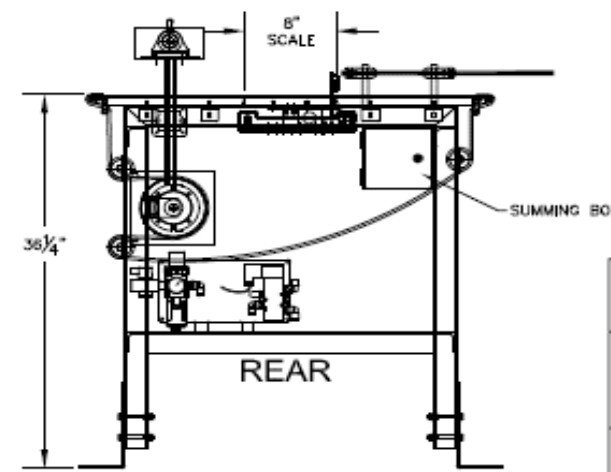
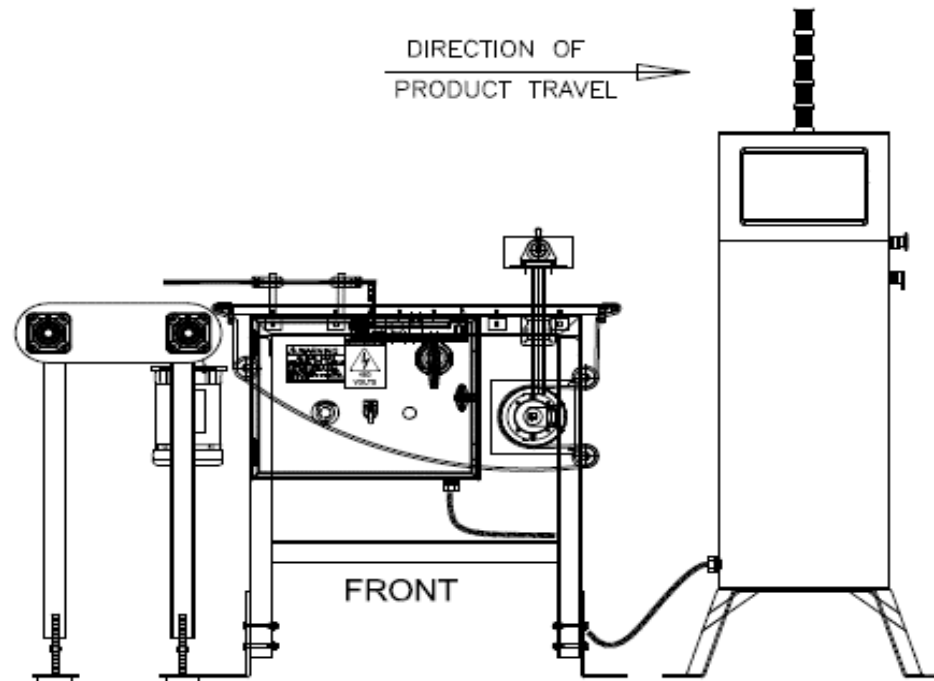
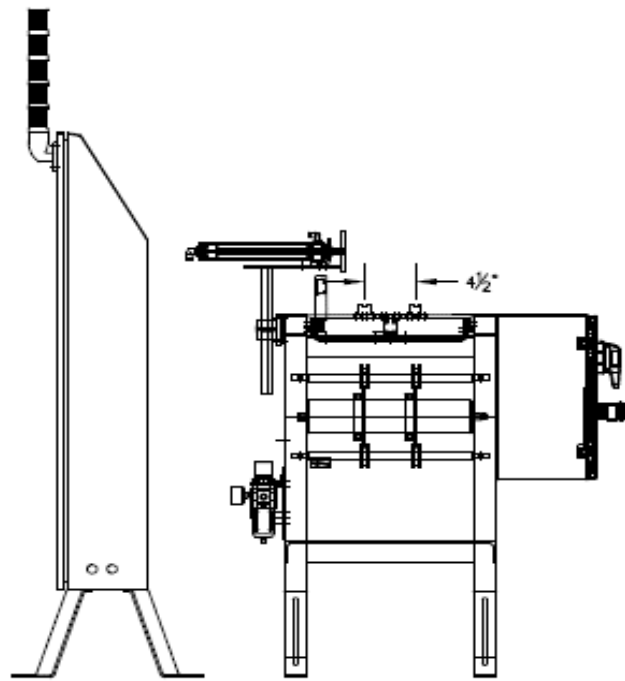
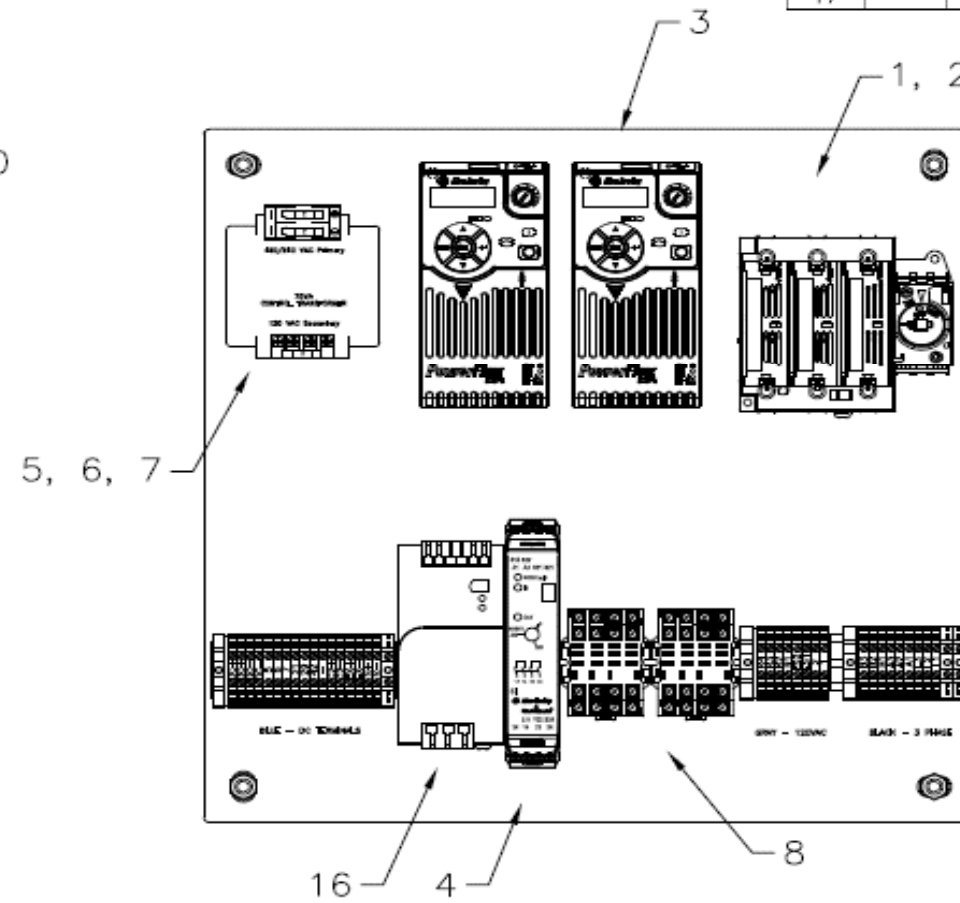
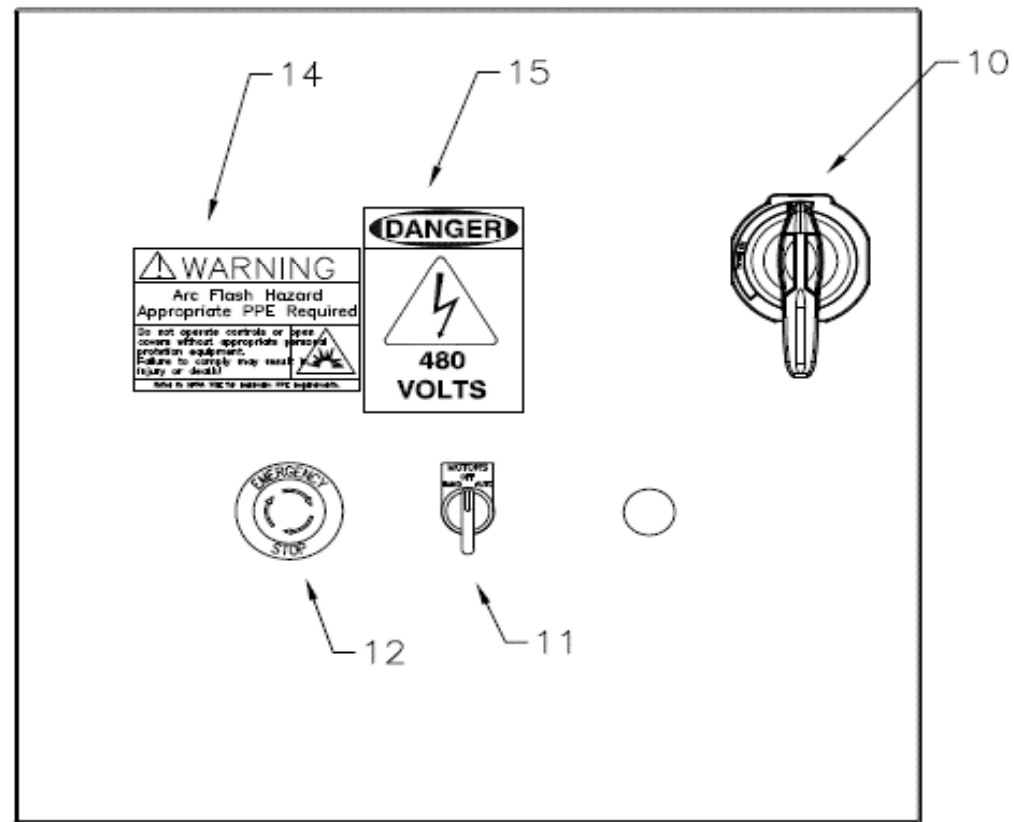


PKG SIZE: 12 & 16 oz. 2.31" dia. can
 PKG WEIGHT: MIN 300g
 ACCURACY: +/-2 to 3 g @ 2 SIGMA
 LOAD CELL CAPACITY: 20 kg
 LIVE WT. CAPACITY: 5 kg
 CALIBRATION WT. VALUE: 2 KG
 RATE: 320/MIN
 PITCH: 4" LEADING EDGE
 SPEED: 30 - 80 FPM
 CONSTRUCTION: 304SS IP67
 MOTOR VOLTAGE: 24VDC, 5 AMP
 CONTROLS SOURCE: 120VAC, 60 HZ. 5 AMP
 I/O VOLTAGE 24VDC
 AIR: 80 PSI @ 1CFM, 3/8" LINE

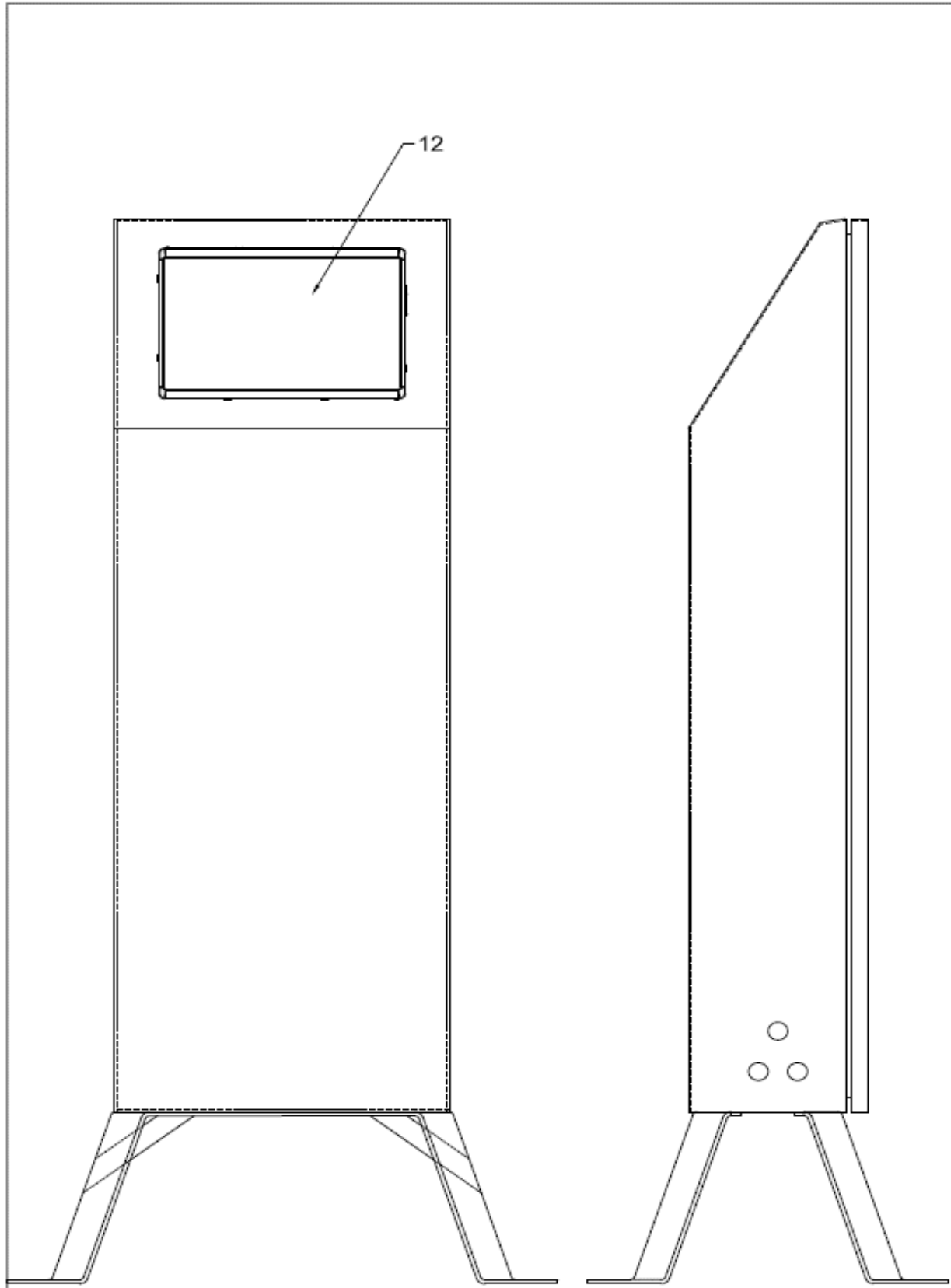


HARDY PROCESS SOLUTIONS			
TITLE SCALE CONVEYOR DETAIL DYNAMIC C			
SIZE	PSCM	DRAWING NO.	REV.
D	21316	22013-1	B
FILE NAME:	.DWG	SCALE: NONE	SHEET OF

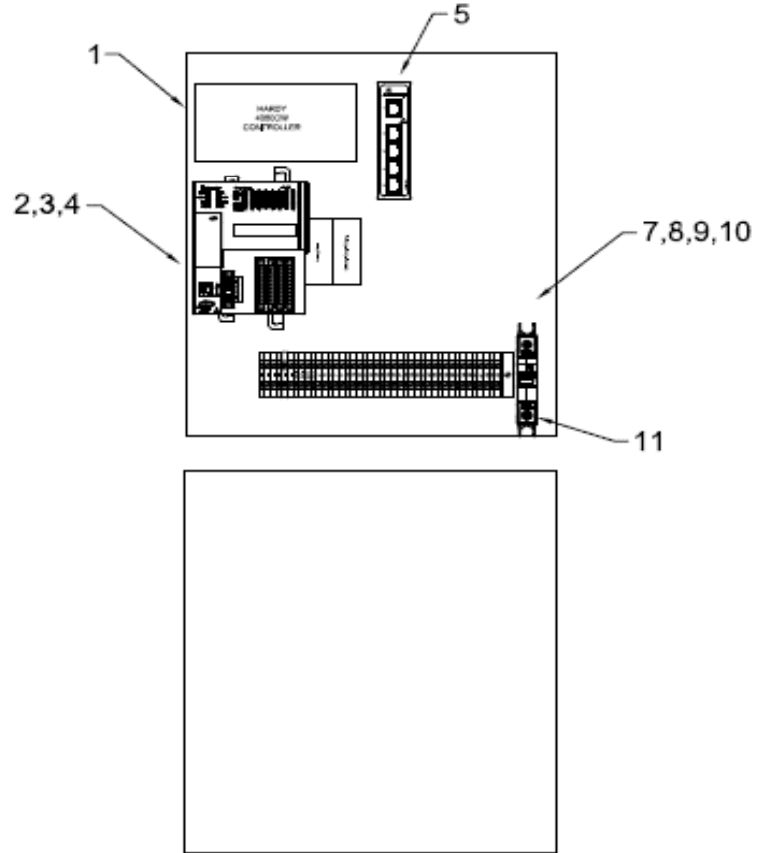
ITEM	QUAN	DESCRIPTION
1	1	194R-J30-1753 Fused Disconnect
2	3	AJT-10 Fuses
3	2	25BD1P4N114 PowerFlex 525 Variable Frequency Drive
4	1	Rockwell 440R-S12R2 Safety Relay
5	1	C0075E2AFB Machine Tool Transformer
6	2	FNQ-R5 Transformer Primary Fuses
7	1	RNM3.5 Transformer Secondary Fuse
8	2	700-HF34A1 Relay; 4 Pole, 24VDC Coil
9	-	-
10	1	194R-PY Disconnect Handle
11	1	800FMSM32PX20 3 Position Selector Switch
12	1	800FPMT44PX02 Maintained Mushroom Switch
13	-	-
14	1	QS3800 Arc Flash Warning Sticker
15	1	QS3647 "Danger High Voltage" Sticker
16	1	1606XLS240E Power Supply; 110VAC to 24VDC
17	-	-



HARDY PROCESS SOLUTIONS			
TITLE Motor Controls Detail 1 Gallon Checkweigher			
SIZE	FSCM	DRAWING NO.	REV.
D	21316	22013-201	0
FILE NAME:		DWG	SCALE: NONE SHEET 2 OF 5



ITEM	QUAN	PART NO.	DESCRIPTION
1	1	4050CW	Hardy Scale Module
2	1	1769L16ERBB1B	Allen-Bradley PLC
3	1	1734TOP	Top Point Terminal Base for DC Card
4	1	17340E2V	2 Channel Analog Output Module
5	1	1783-US5T	5 Port Ethernet Switch
6	-	1492J3	Terminal Block, Gray
7	1	1492J3B	Terminal Block, Blue
8	1	1492EBJ3	Terminal End Block
9	1	1492EAJ35	Terminal End Anchor Block
10	1	1492JG3	Ground Terminal Block
11	1	1489M1D100	Primary 10 Amp Circuit Breaker
12	1	2711PT9W21D8S	Panelview Plus 7 HMI
13	-	-	-
14	-	-	-
15	-	-	-
16	-	-	-
17	-	-	-
18	-	-	-
19	-	-	-
20	-	-	-



HARDY
PROCESS SOLUTIONS

TITLE
Checkweigher Controls Detail

SIZE	PSCM	DRAWING NO.	REV.
D	21316	22013-200	
FILE NAME:	.DWG	SCALE: NONE	SHEET 1 OF 5