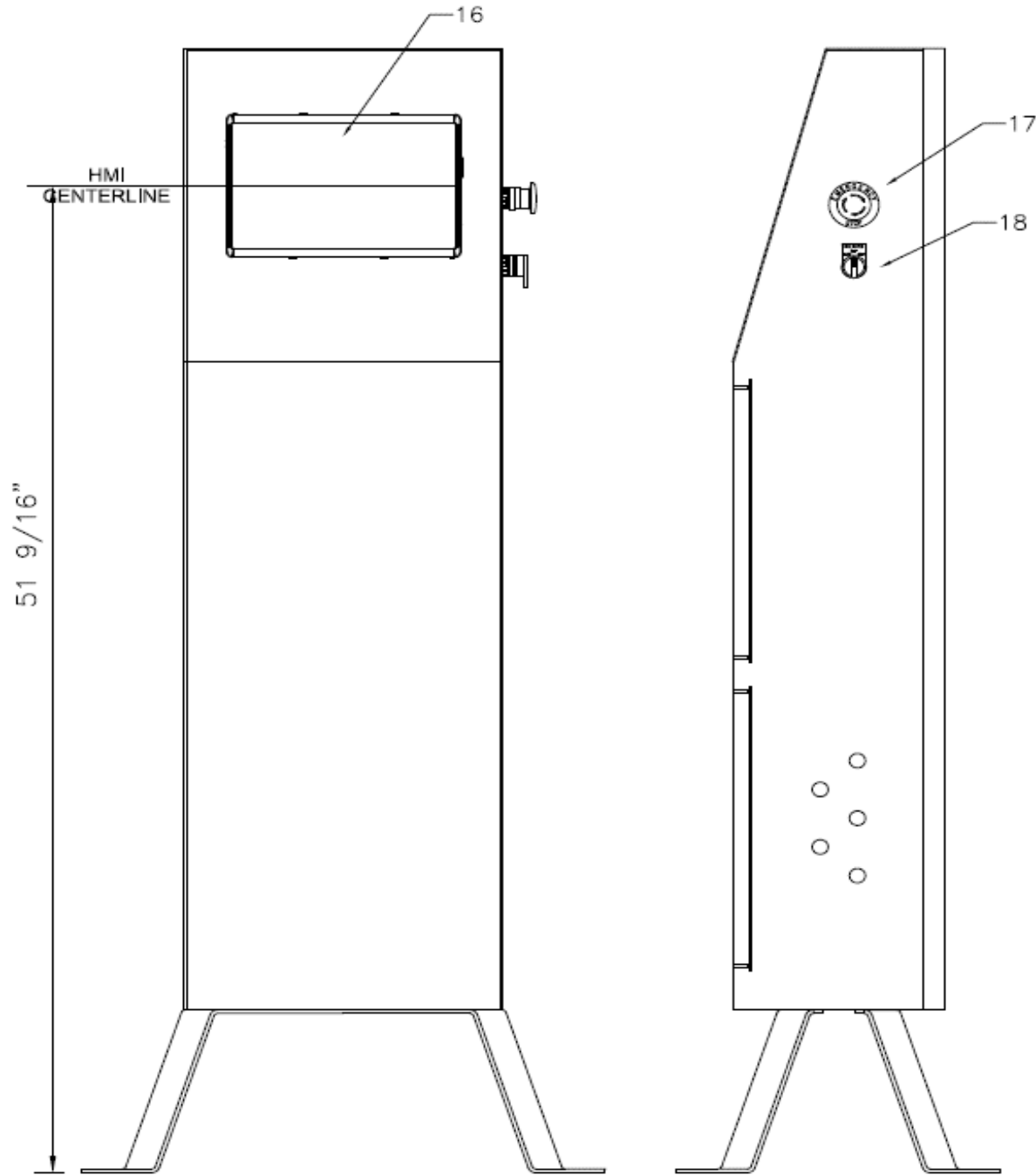
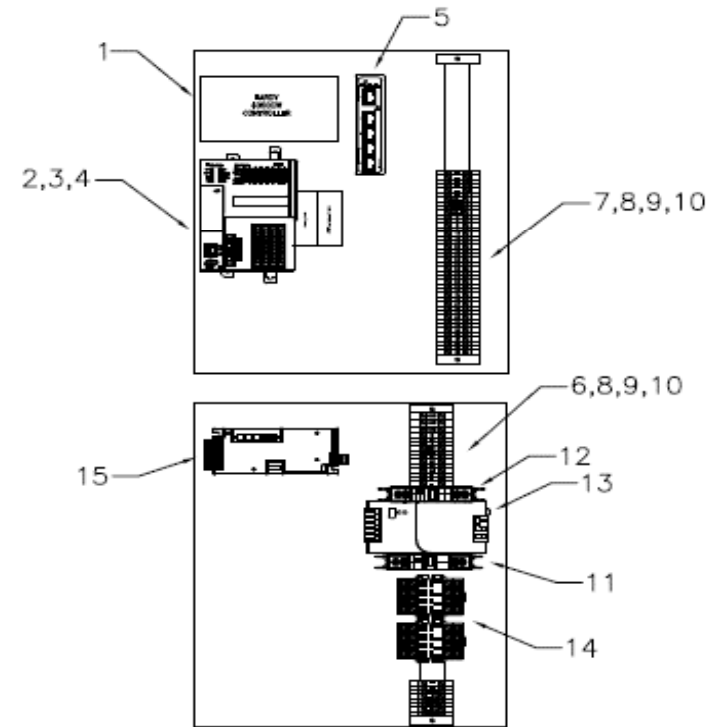


MILD STEEL FRAME & CONVEYOR
 SS FREE-STANDING CONTROL PEDESTAL

ENGINEERING DWG. REF#			
HARDY PROCESS SOLUTIONS			
TITLE Equipment Layout Intermediate Checkweigher			
SIZE	FSCM	DRAWING NO.	REV.
D	21316	23226-1	A
FILE NAME:	DWG	SCALE:	SHEET OF



ITEM	QUAN	PART NO.	DESCRIPTION
1	1	4050CW	Hardy Scale Module
2	1	1769L16ERBB1B	Allen-Bradley PLC
3	1	1734TOP	Top Point Terminal Base for DC Card
4	1	17340E2V	2 Channel Analog Output Module
5	1	1783-US5T	5 Port Ethernet Switch
6	-	1492J3	Terminal Block, Gray
7	-	1492J3B	Terminal Block, Blue
8	-	1492EBJ3	Terminal End Block
9	-	1492EAJ35	Terminal End Anchor Block
10	-	1492JG3	Ground Terminal Block
11	1	1489M1D100	Primary 10 Amp Circuit Breaker
12	1	1489M1D020	Motor Circuit Breakers, 2 Amp
13	1	1606XLS240E	89-230VAC to 24VDC Power Supply, 10 Amp
14	2	700HF34Z24	4 Pole Relay, 24VDC Coil
15	1	HTZ24	DC Motor Driver Card
16	1	2711PT9W21D8S	Panelview Plus 7 HMI
17	-	800FPMT44PX02	Maintained E-Stop with Contacts
18	2	800FMSM32PX20	Maintained 3-Position Selector Switch
19	-	-	-
20	-	-	-



HARDY
PROCESS SOLUTIONS

TITLE

SIZE	FSCM	DRAWING NO.	REV.
D	21316		
FILE NAME:	DWG	SCALE: NONE	SHEET OF

